

## INSTALLATION INSTRUCTIONS

DESCRIPTION: Gun Boot Mount Kit

PART NUMBER: B16-K750B-V0

MODEL: '16~ Grizzly 700, '16~ Kodiak 700



### ⚠ WARNING

Please read and understand these instructions completely before installation to avoid possible injury, or damage to the accessory or vehicle.

### NOTICE:

This installation requires a torque wrench and should be performed by an authorized Yamaha dealer or other qualified technician.

### WARRANTY INFORMATION:

Genuine Yamaha Accessories are covered by a one-year limited warranty against defects in material or workmanship. Labor for replacement of defective components is not covered. See your Yamaha dealer for a copy of the warranty statement.

### DEALER OR INSTALLER:

These instructions contain important information for future reference and *must* be given to the customer.

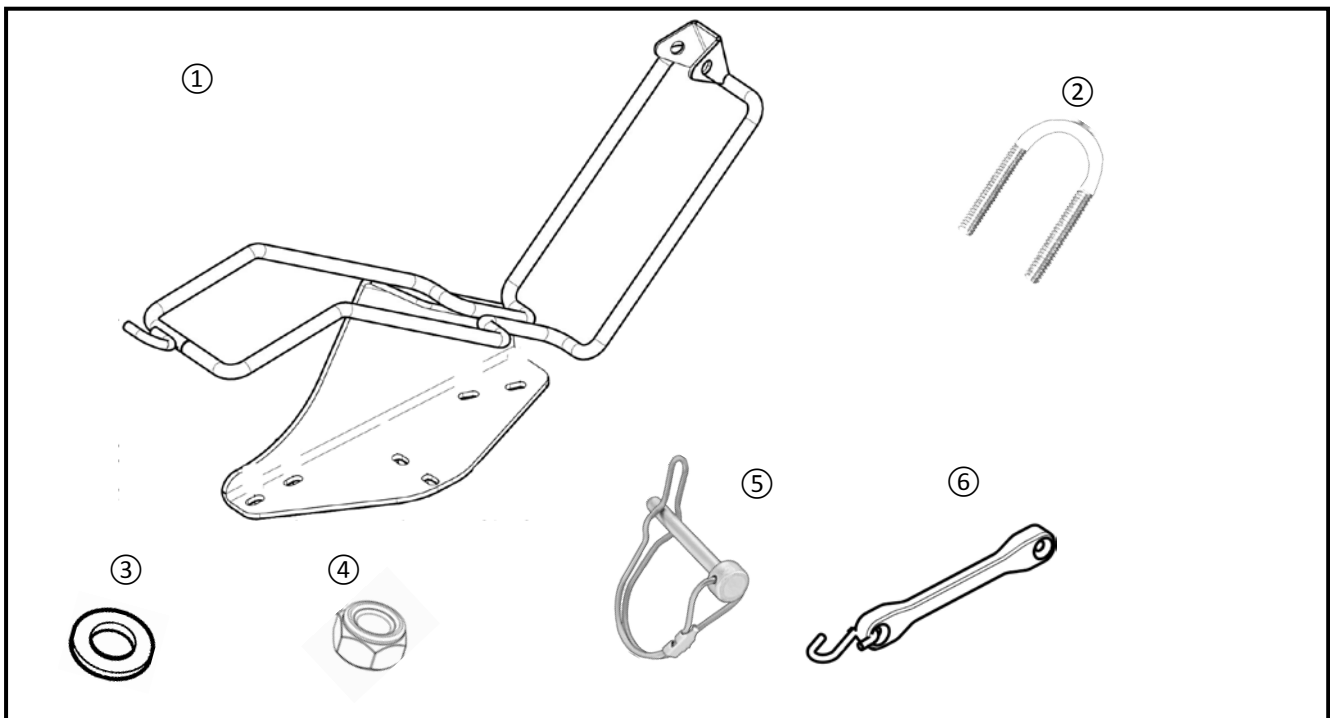
### COMPONENTS NOT INCLUDED IN THIS KIT:

- Gun Boot, such as **Deluxe Gun Boot with Removable Gun Case**, p/n ABA-UXX67-10-00 or **Gun Boot**, p/n ABB-45H67-10-00

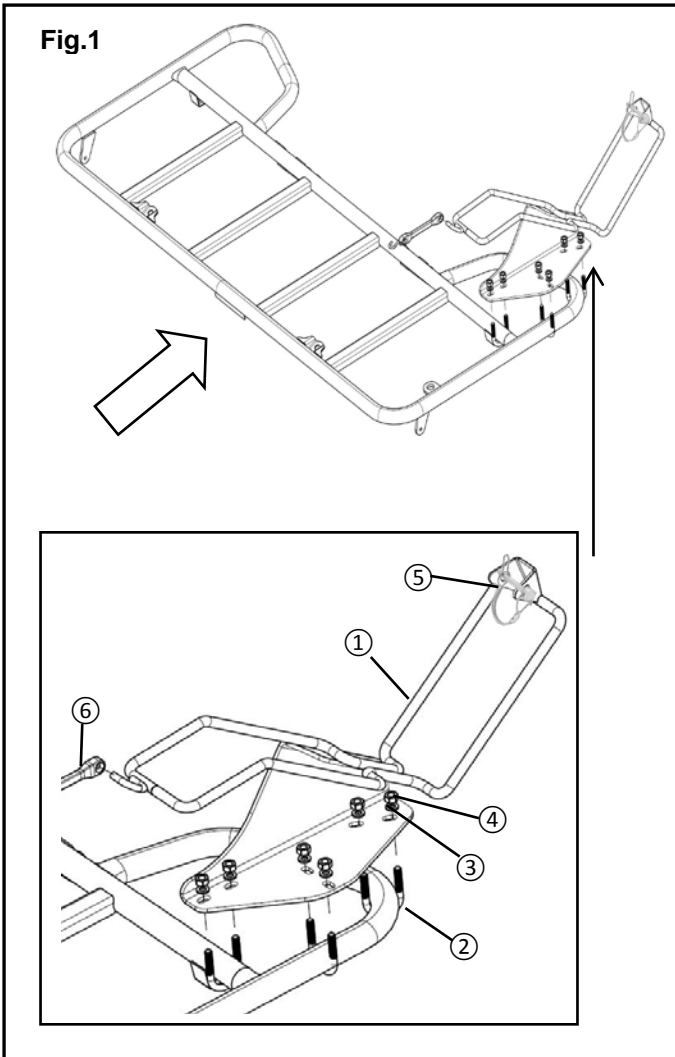
### PARTS LIST:

No.	Part Number	Description	Qty
--	B16-K750B-V0	Gun Boot Mount Kit	--
①	*	Gun Boot Mount	1
②	*	M6x1.0 U-Bolt	3
③	*	M6 Washer	6
④	*	M6 x 1.0 Locknut	6
⑤	*	Pin with Wire Lock	1
⑥	*	Rubber Strap with Hook	1

\* Part supplied with kit only and not available separately.



**Fig.1**



**PREPARATION:**

1. Park the ATV on a secure and level surface.
2. Set the parking brake.
3. Clean all mounting surfaces before beginning installation.

**INSTALLATION:**

1. Place the Gun Boot Mount (1) on the rear rack as shown in Fig.1.
2. Start in the front. From under the rack, place a U-bolt (2) around the rack tube and through the Gun Boot Mount (1) holes as shown in Fig. 1.
3. Install two washers (3) and two locknuts (4) to each U-bolt. Hand tighten.
4. Install the other 2 U-bolts, washers, and locknuts. Hand tighten.
5. Torque the nuts to 6 Nm (0.6 m-kgf, 4.3 ft-lbf).
6. Install the pin with wire lock (5) to the (1) Gun Boot Mount.
7. Install the rubber strap with hook (6) to the Gun Boot Mount (1).

**MAINTENANCE:**

Periodically, check torque on all hardware. If loose hardware is found, re-torque to specification.

**CARE AND CLEANING:**

Clean painted metal parts with a clean soft cloth and mild soap and water. Rinse and dry.

**CUSTOMER SERVICE:**

For further information see your Yamaha dealer.

**ESTIMATED TIME TO INSTALL: 0.6 HR**